



- Students below the minimum admission requirements and/or students who do not have ACT/SAT scores are placed in Preparatory Engineering (PREN_CM_PPRU) and must meet the Bridge Requirements to be admitted into the Pre-Professional Program (CMPE_PPRU).

PREPARATORY PROGRAM

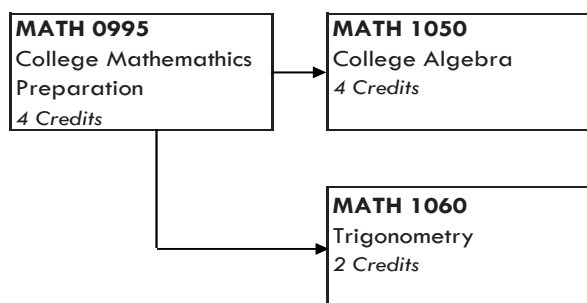
BRIDGE REQUIREMENTS

- Complete the Bridge Courses*
- No more than 3 total repeats for Bridge Courses
- Minimum 2.80 GPA in Bridge Courses
- Minimum grade of B for Bridge Courses

*BRIDGE COURSES

- First 2 ECE Engineering Courses
- MATH 1220

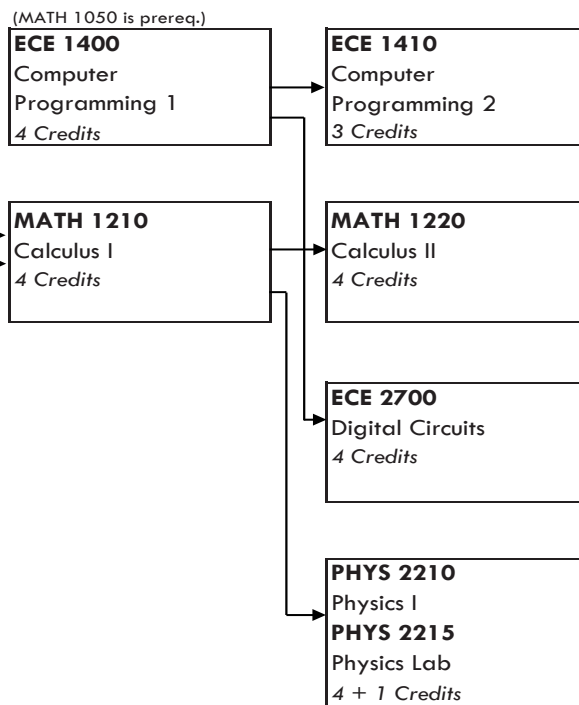
MATH 1210 PREREQUISITES



MATH 1210 Prerequisites may be fulfilled by the ALEKS Math Placement Exam, ACT/SAT score, or by taking Prerequisite courses. Meet with your advisor to choose the appropriate first-semester math course.

→ Prerequisite

BRIDGE COURSE MAP



For more information on the Preparatory Engineering Program, scan the QR code or visit <https://engineering.usu.edu/advising/preparatory-engineering>

• ACADEMIC YEAR
• 2023-24